

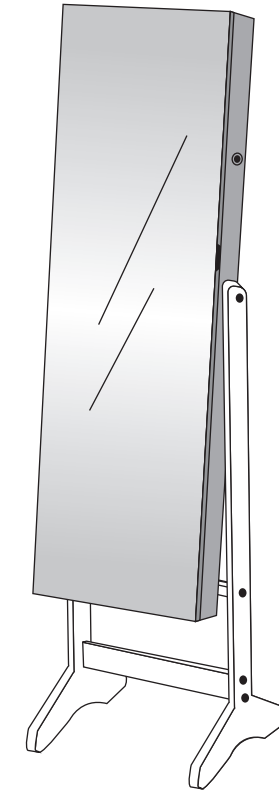
## **NORTH AMERICA**

E-mail: Service@nicetree.co

Address: 505, Bldg 6, Shenglong Garden phase 2,  
No.2 Shenglong Rd., Longcheng  
St., Longgang Dist., Shenzhen

## **Manufacturer**

Shenzhen Xiaojia Technology Co.Ltd



## Model: NT-HF002 Mirrored Jewelry Cabinet Assembly Instructions

Thank you for purchasing the Nicetree Jewelry Cabinet. Please read this user manual carefully and keep it in a safe place for future reference. If you need any assistance, please contact our support team with your product model number and Amazon order number.

# CONTENTS

**Package Contents** ..... 02

**IMPORTANT** ..... 03

**Assembly** ..... 04

**Specifications** ..... 07

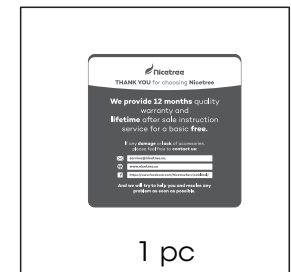
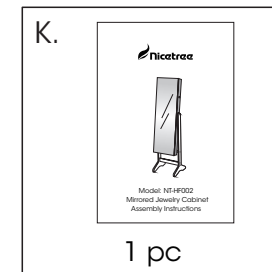
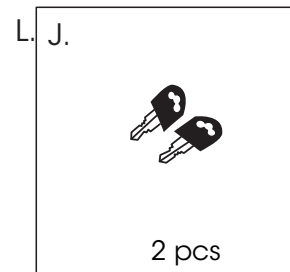
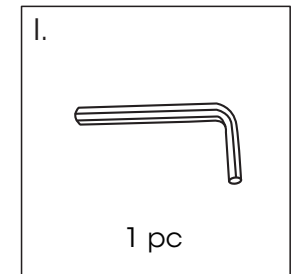
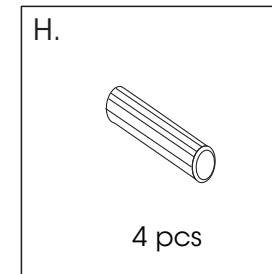
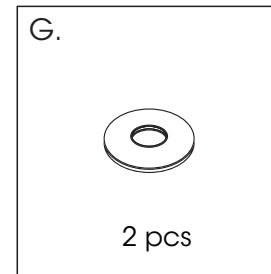
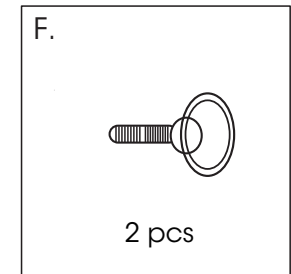
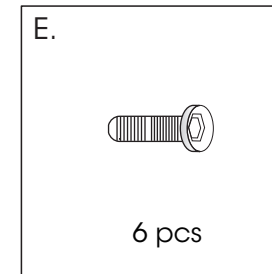
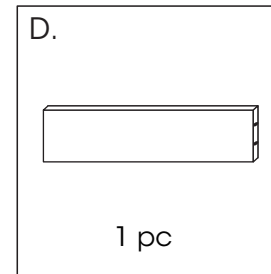
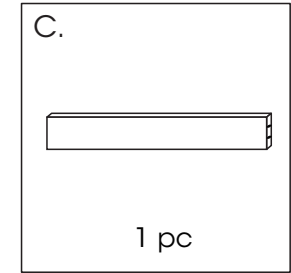
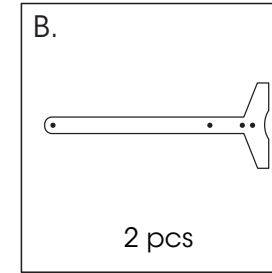
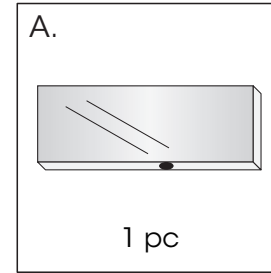
**Warranty & Customer Support** ..... 07

# Package Contents

- A. 1 x Jewelry Cabinet
- B. 2 x Stands
- C. 1 x C Bottom Rail
- D. 1 x D Rail Stopper

- E. 6 x E Screws
- F. 2 x F Keys
- G. 2 x Washers
- H. 4 x Dowels

- I. 1 x Allen Wrench
- J. 2 x Keys
- K. 1 x User manual
- L. 1 x Warranty card



# IMPORTANT

Please read the following instruction carefully and use the product accordingly. Please keep this manual and hand it over if you transfer the product. This summary may not include every detail of all variations and considered steps. Please contact us when further information and help are needed.

## Warnings

1. The product's primary use is as a mirror and storage cabinet. The user must strictly assemble and use the product in accordance with this manual. The seller does not assume any responsibility or liability with respect to any damage caused by incorrect assembly or improper use.
2. Please check that the cabinet body is intact and the accessories are complete before mounting. Do not place the edge of the unwrapped cabinet on the floor to avoid fraying or damage.
3. Follow the assembly steps shown in the diagram to position and adjust the parts, then gradually tighten all screws. Do not tighten excessively.
4. It is recommended that two adults assemble the cabinet together. Take care to assemble the cabinet and the stand horizontally and ensure it is firmly fastened to avoid it falling.
5. Open and close the door gently for long-lasting use of the hinges (the widest angle of the door is about 100 degrees).
6. Please put the article on the flat ground and away from sharp and hard objects. Do not drag the cabinet across the floor - please lift it up to move.
7. For daily care, please clean with a soft and dry cloth. If necessary, you can use neutral detergent. Do not wipe the surface with a wet cloth or hard objects.
8. Keep the article away from acidic chemicals, so as not to cause a chemical reaction or discoloration, etc.

9. Keep this product in room with normal temperature. Avoid direct sunlight and do not place next to heat sources, which can cause the deformation, distortion, and even cracking.
10. There may be a smell when the packaging is removed. If so, please place the cabinet in a ventilated area and open the door to remove the smell.
11. The product is not intended for children. Children must be under adult supervision to use the product. Otherwise the seller is not liable for the damage or the injury.
12. Never allow children to climb or play around with the product, in order to protect children from personal injury and to prevent the mirror body being broken.
13. During the mounting process, keep small objects out of the reach of children. It may be fatal if parts are swallowed or inhaled.
14. To avoid danger of suffocation, keep the plastic bag away from babies and children.

## Assembly

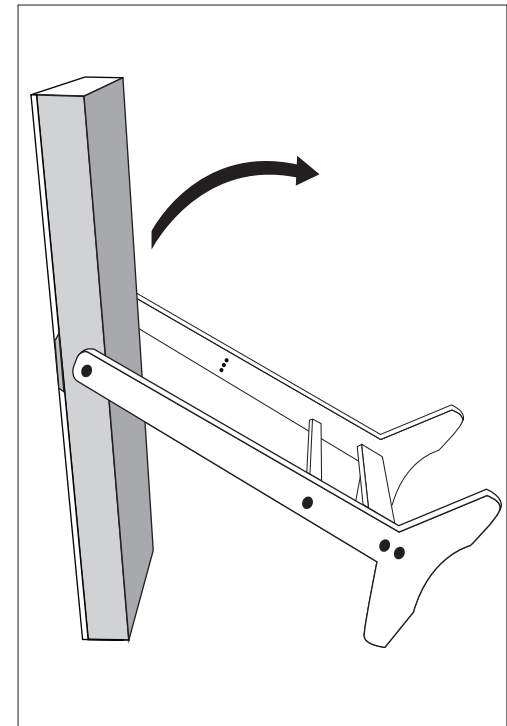
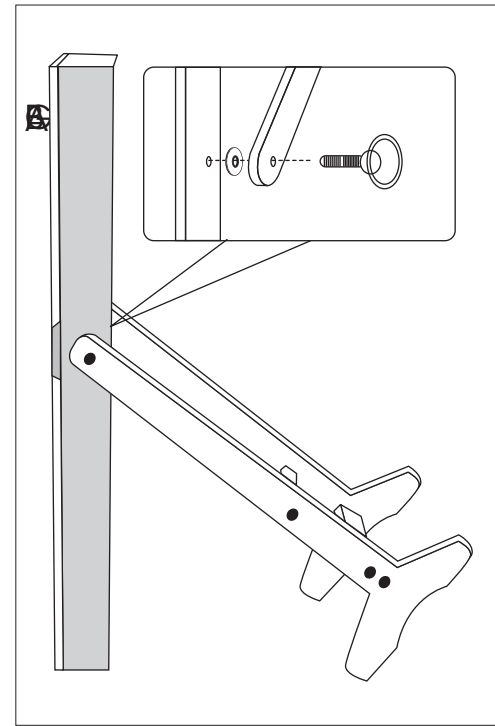
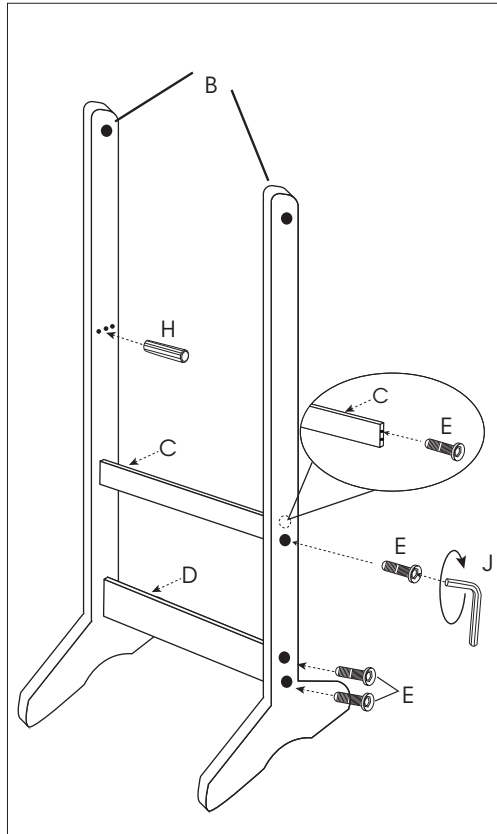
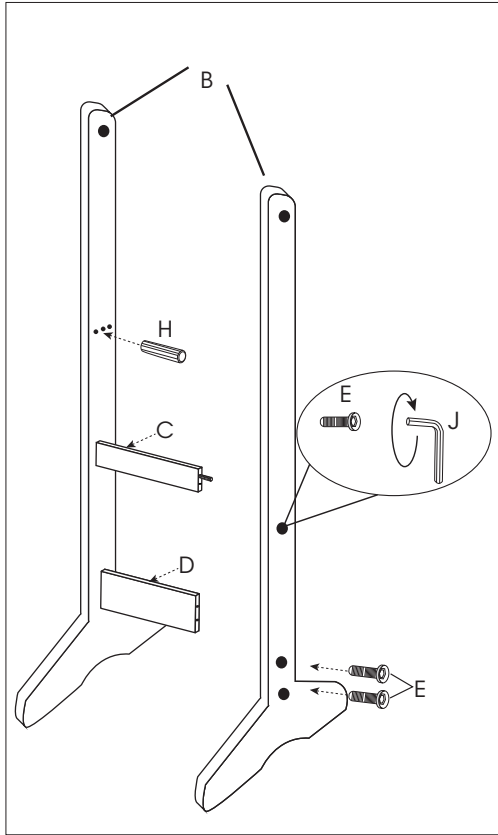
### Stand Assembly

Two adults are required for assembly. Please follow the instructions below step by step.

- Step 1. Connect the D rail stopper to the bottom of the B stand with 2 E screws.
- Step 2. Connect the C bottom rail to the middle of the B stand with 1 E screw.
- Step 3. Insert the other 2 E screws and half tighten them with the Allen wrench to connect the D rail stopper to the other B stand.
- Step 4. Insert the other 1 E screw and half tighten them with the Allen wrench to connect the C bottom rail stopper to the other B stand.
- Step 5. Tilt the assembled stand, align holes on the stand, and those on the cabinet. Put the G washers between the jewelry cabinet and the B stand, insert 2 F screws and fully tighten all screws including those

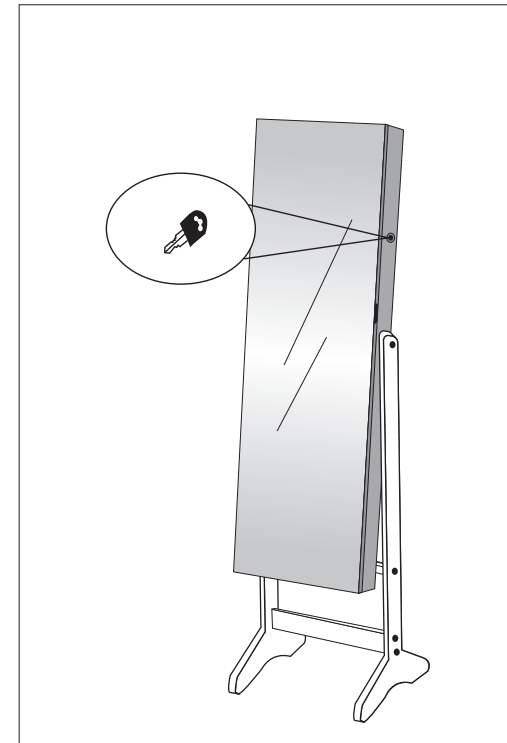
on the stand.

Step 6. Insert 2 dowels into any of the three angles locking holes to set the tilting angle of the cabinet. You may change the hole later if needed.



J.

Step 7. Set up the cabinet. You can open or lock the cabinet with the keys.



## Specifications

Material	Real glass, Quality MDF, Soft Velvet
Mirror Included?	Yes
Dimensions	153x 41 x 36.5cm / 60.2 x 16.1 x 14.4in
Weight	11.5kg / 25.4lbs

## Warranty & Customer Support

12 months warranty.

If you need any assistance or have any questions, please contact our store and we will reply within 24 hours. Please leave your order number and details of your question, so we can help you solve the issue as soon as possible.

[www.nicetree.co](http://www.nicetree.co)